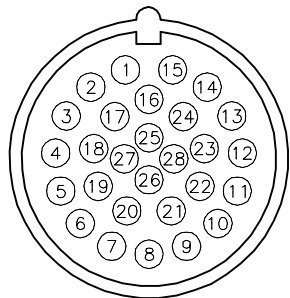


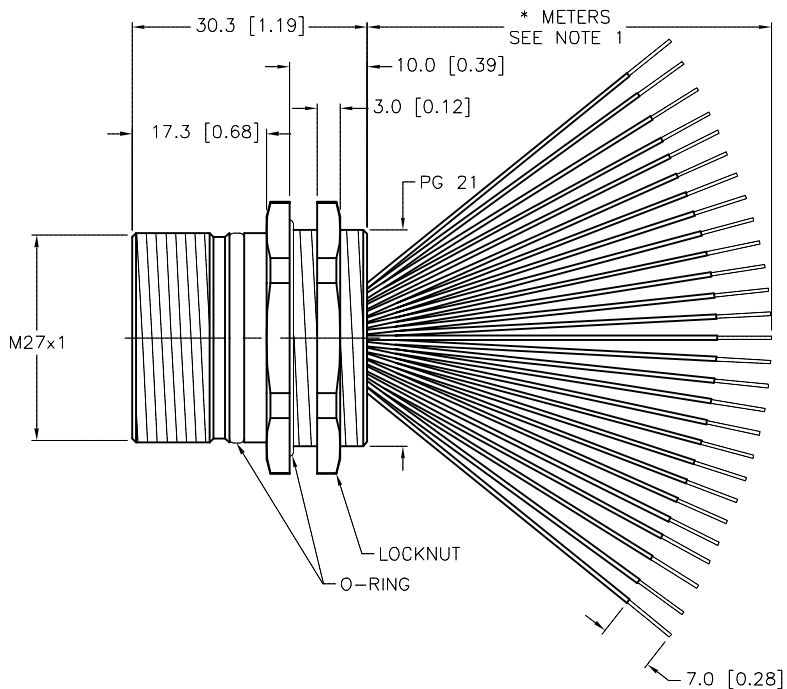
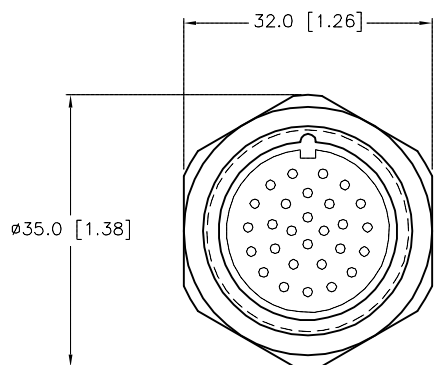
FEMALE END VIEW



- |                  |                   |
|------------------|-------------------|
| 1 = BROWN        | 15 = BLUE         |
| 2 = WHITE/GREY   | 16 = BLACK/GREY   |
| 3 = BLUE/GREY    | 17 = BROWN/ORANGE |
| 4 = BROWN/GREY   | 18 = WHITE/ORANGE |
| 5 = BLACK/YELLOW | 19 = BLACK/ORANGE |
| 6 = WHITE/YELLOW | 20 = BLACK/GREEN  |
| 7 = BLUE/YELLOW  | 21 = WHITE/GREEN  |
| 8 = BROWN/YELLOW | 22 = BLUE/GREEN   |
| 9 = BLACK/RED    | 23 = BROWN/GREEN  |
| 10 = WHITE/RED   | 24 = BLUE/ORANGE  |
| 11 = BLUE/RED    | 25 = GREEN/YELLOW |
| 12 = BROWN/RED   | 26 = GREY         |
| 13 = BLACK       | 27 = ORANGE       |
| 14 = WHITE       | 28 = N/C          |

SPECIFICATIONS

CONTACT CARRIER MATERIAL	NYLON or PBT
CONTACT MATERIAL/PLATING	BRASS/GOLD
RECEPTACLE HOUSING MATERIAL/PLATING	BRASS/NICKEL
RATED CURRENT [A]	3.0 A
RATED VOLTAGE [V]	150 V
CONDUCTOR INSULATION MATERIAL	PVC
NUMBER OF CONDUCTORS [AWG]	27x22 AWG
TEMPERATURE	-30°C TO +80°C (-22°F TO +176°F)
PROTECTION CLASS	IEC IP67
MOUNTING	∅28.5 [1.122] HOLE or PG 21 THRD.



CABLE LENGTH	TOLERANCE *
ALL LENGTHS	+ 4% (OR 50mm) OF LENGTH - 0% (OR 0mm) OF LENGTH WHICHEVER IS GREATER
STRIP LENGTH	TOLERANCE *
0-7mm	±0.5mm
8-29mm	±1.0mm
30-49mm	±2.0mm
50-69mm	±3.0mm
70-100mm	±4.0mm
OVER 100mm	±5.0mm

\* UNLESS OTHERWISE SPECIFIED

SOURCE DRAWING - FOR REFERENCE ONLY

NOTES:

1."\*" INDICATES LEAD LENGTH IN METERS. CONTACT TURCK TO ORDER SPECIFIC LENGTHS.

RELATED DOCUMENTS	3RD ANGLE PROJECTION	THIS DRAWING IS CONFIDENTIAL AND THE PROPERTY OF TURCK INC. USE OF THIS DOCUMENT WITHOUT WRITTEN PERMISSION IS PROHIBITED.	<b>TURCK INC</b> High Technology Sensors and Automation Controls 3000 CAMPUS DRIVE MINNEAPOLIS, MN 55441 1-800-544-7769 (763) 553-7300 (763) 553-0708 fax turck.com		
1.		DRFT	JB	DATE 10/13/03	DESCRIPTION DKF 28-27-*
2.		APVD	JB	SCALE 1=1.0	
3.	ALL DIMENSIONS DISPLAYED ON THIS DRAWING ARE FOR REFERENCE ONLY	UNIT OF MEASUREMENT		IDENTIFICATION NO.	REV D
4.		MILLIMETER [ INCH ]			
MATERIAL	SEE SPECIFICATIONS	CONTACT TURCK FOR MORE INFORMATION	DO NOT SCALE THIS DRAWING		FILE: 777002628
FINISH	SEE SPECIFICATIONS				SHEET 1 OF 1

D	UPDATE RATED CURRENT SPECIFICATIONS	KMY	12/26/13	44390
REV	DESCRIPTION	BY	DATE	ECO NO.